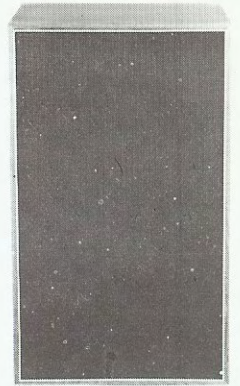


Service manual

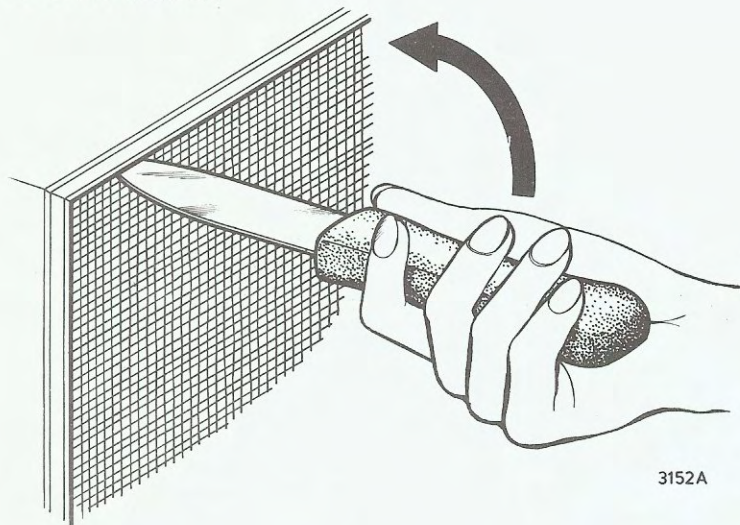


3097A

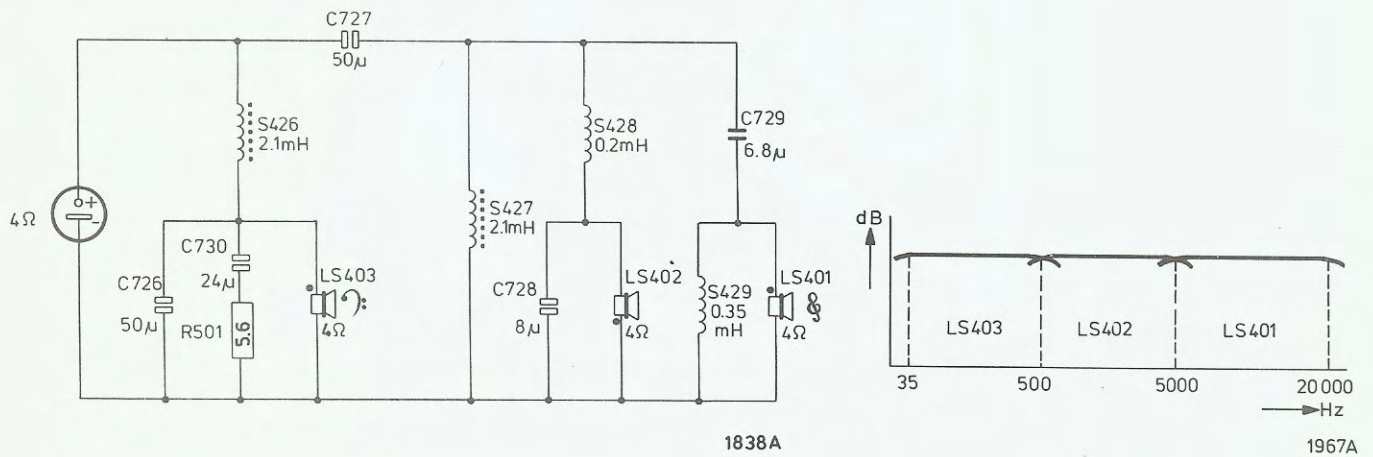
25 litres
293 x 538 x 227 mm

This document was downloaded from
www.mfbfreaks.com
Collecting vintage Philips Audio and more!

TO OPEN L.S. BOX



3152A

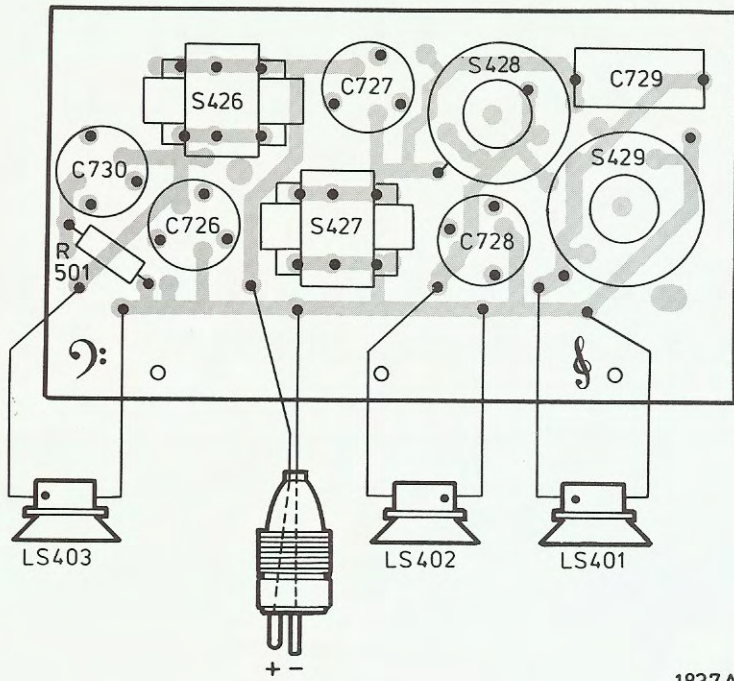



CS36951

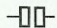
Subject to modification

4822 726 11149


Printed in the Netherlands



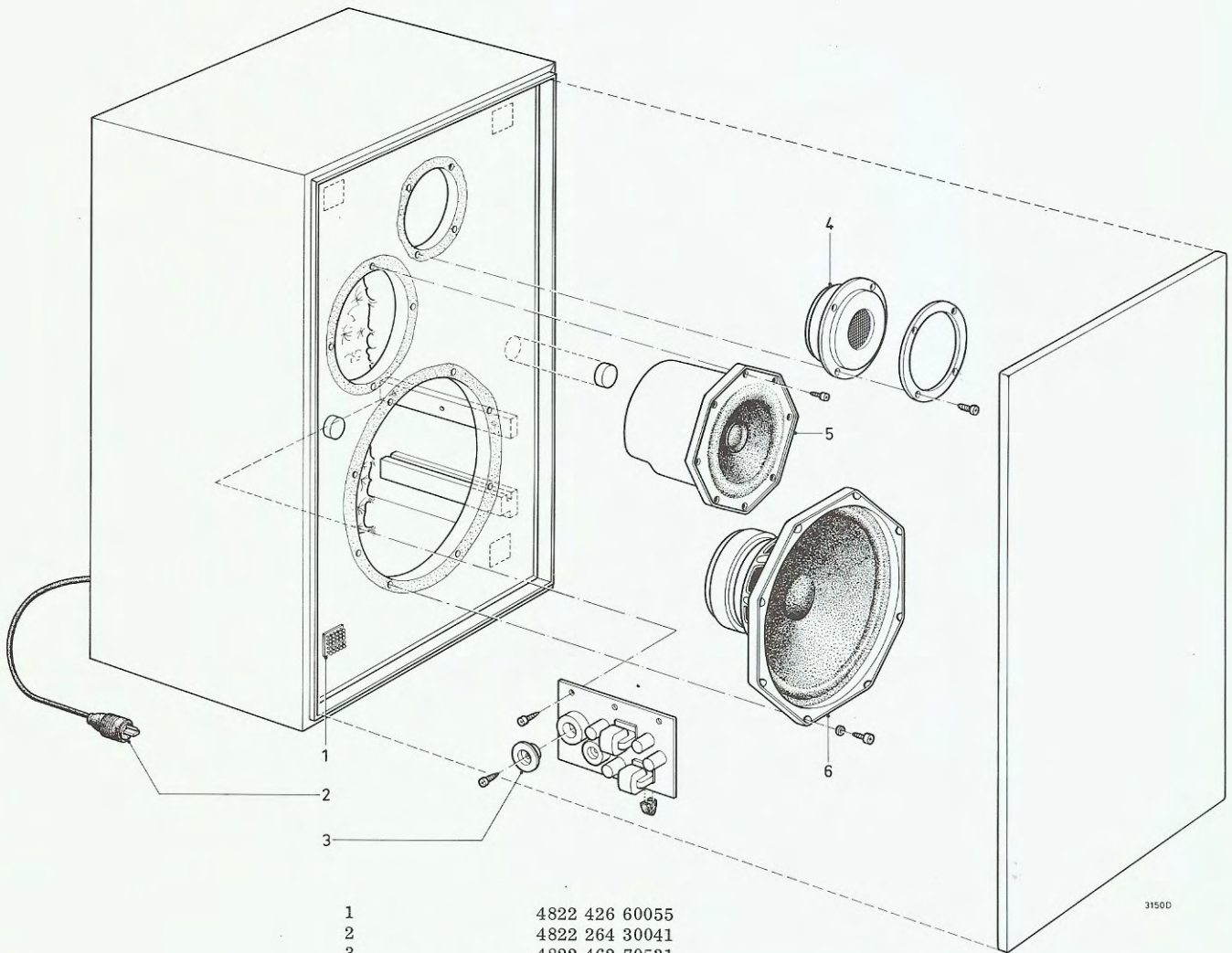
-S-		
S426	2.1 mH	4822 152 20479
S427	2.1 mH	4822 152 20479
S428	0.2 mH	4822 157 30197
S429	0.35 mH	4822 157 50595

-C-		
C726	50 μ F	4822 124 40091
C727	50 μ F	4822 124 40091
C728	8 μ F	4822 124 40102
C730	24 μ F	4822 124 40099

-C-		
C729	6.8 μ F	4822 121 40252

-R-		
R501	5.6 Ω	4822 112 20047

1837A



1		4822 426 60055
2		4822 264 30041
3		4822 462 70531
4	LS401 4 Ω	4822 240 70003
5	LS402 4 Ω	4822 240 50089
6	LS403 4 Ω	4822 240 60038

3150D